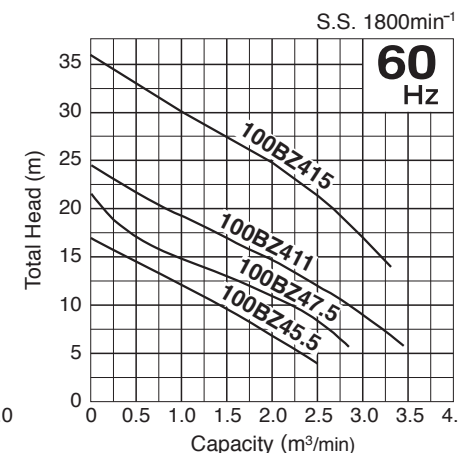
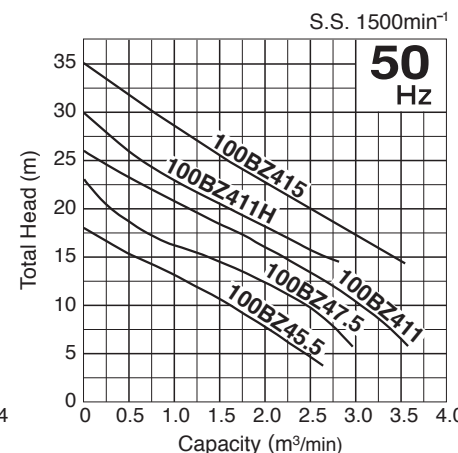
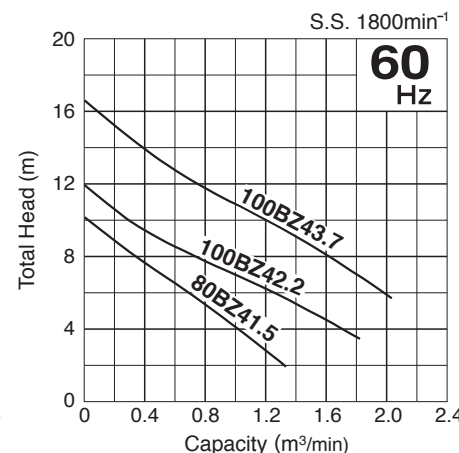
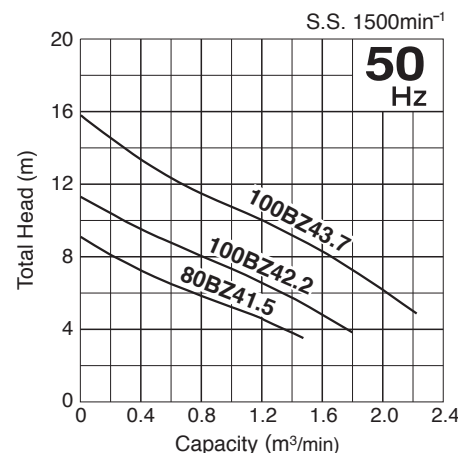


BZ

The BZ-series has a proprietary single-channel, solid handling impeller that allows the pump to handle solid matters with up to 80mm in diameter. The pump can efficiently transfer sewage and wastewater containing solid matters.



Performance Curves



Major Standard Specifications

Discharge Bore		mm	80	100
Pumping Fluid	Type of Fluid	Wastewater, and Liquid carrying Waste and Solid Matters		
	Fluid Temperature	0 to 40°C		
Pump	Structure	Impeller	Channel Impeller	
		Shaft Seal	Double Mechanical Seal with Oil Lifter	
		Bearing	Double-shielded Ball Bearing	
	Materials	Impeller	Gray Iron Casting	
		Shaft Seal	SiC	
Motor	Type, Pole	Dry Type Submersible Induction Motor 4-pole		
	Class of Insulation	Class F		
	Phase	Three-phase		
	Starting Method	Direct on Line (7.5kW and below) Star-delta (11kW and above)		
	Protection Device (built-in)	Miniature Thermal Protector		
	Lubricant	Turbine Oil (ISO VG32)		
	Materials	Frame	Gray Iron Casting	
		Shaft	420 Stainless Steel	
Cable		PVC (3.7kW and below) Chloroprene Rubber (5.5kW and above)		
Discharge Connection		JIS 10K Flange		

Applications

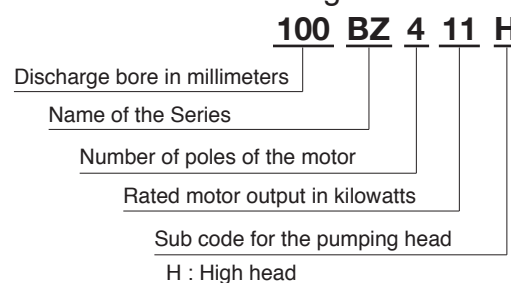
- Transferring sewage and wastewater to wastewater treatment plant
- Draining wastewater from industrial plant
- Draining effluent from residence, hotel, commercial complex, etc

Standard Specifications

Discharge Bore mm	Model			Motor Output kW	Starting Method	Speed (S.S.) 50Hz/60Hz min ⁻¹	Impeller Passage 50Hz/60Hz mm	Dry Weight * kgs		Cabtyre Cable						
	Free Standing	Guide Rail Fitting						Free Standing	Guide Rail Fitting	No. of Cables	200 ~ 240 V		380 ~ 575 V		Length m	Material
TOS		TS	Cores x mm ²	Outer Dia. mm	Cores x mm ²	Outer Dia. mm										
80	80BZ41.5	TOS80BZ41.5	TS80BZ41.5	1.5	D.O.L	1500/1800	80	78	74	2	4 x 1.25	11.1	4 x 1.25	11.1	10	PVC
100	100BZ42.2	TOS100BZ42.2	TS100BZ42.2	2.2	D.O.L	1500/1800	80	78	74	2	4 x 2.0	11.8	4 x 2.0	11.8	10	PVC
100	100BZ43.7	TOS100BZ43.7	TS100BZ43.7	3.7	D.O.L	1500/1800	80	98	94	2	4 x 1.25	11.1	4 x 1.25	11.1	10	PVC
100	100BZ45.5	TOS100BZ45.5	TS100BZ45.5	5.5	D.O.L	1500/1800	80	149	144	2	4 x 3.5	13.9	4 x 2.0	11.8	10	Chloroprene Rubber
100	100BZ47.5	TOS100BZ47.5	TS100BZ47.5	7.5	D.O.L	1500/1800	80	165	160	2	2 x 1.25	9.8	2 x 1.25	9.8	10	Chloroprene Rubber
100	100BZ411	TOS100BZ411	TS100BZ411	11	Star-Delta	1500/1800	80	222	217	3	4 x 3.5	14.1	4 x 3.5	14.1	10	Chloroprene Rubber
100	100BZ411H	TOS100BZ411H	TS100BZ411H	11	Star-Delta	1500/—	80	222	217	3	3 x 3.5	12.9	3 x 3.5	12.9	10	Chloroprene Rubber
100	100BZ415	TOS100BZ415	—	15	Star-Delta	1500/1800	80	295	290	3	2 x 1.25	9.8	2 x 1.25	9.8	10	Chloroprene Rubber

* Dry weight
All weights excluding cable
Weights of guide rail fitting excluding duckfoot bend

Model Number Designation



Standard Accessories

Free Standing

- Discharge Bend (with Packing & Bolts)
- JIS 10kg/cm² Flange (with Packing, Bolts & Nuts)

Guide Rail Fitting - TOS

- Lifting Chain 5m, (with Shackles)
- Guide Support (with Bolts & Nuts)
- Guide Hook (with Bolts)
- Duckfoot Bend
- Guide Connector (with Bolts)
- JIS 10kg/cm² Flange (with Packing, Bolts & Nuts)
- Foundation Bolts (with Nuts)

Guide Rail Fitting - TS

- Lifting Chain 5m, (with Shackles)
- Guide Support (with Bolts & Nuts)
- Guide Hook (with Bolts)
- Duckfoot Bend
- Guide Connector (with Bolts)