

Fluid-o-Tech pump-motor unit TMFR series



The TMFR series, an integrated pump-motor unit where the motor has no moving parts, features a combination of compact size, superior performance, low energy consumption and silent operation to provide great versatility in a refined, high tech design. The internal magnet, driven through an electromagnetic field, is capable of transmitting high torque to the shaft. The speed control system allows the unit to self-adapt to the hydraulic conditions of the circuit to maintain a set pressure or flow rate,

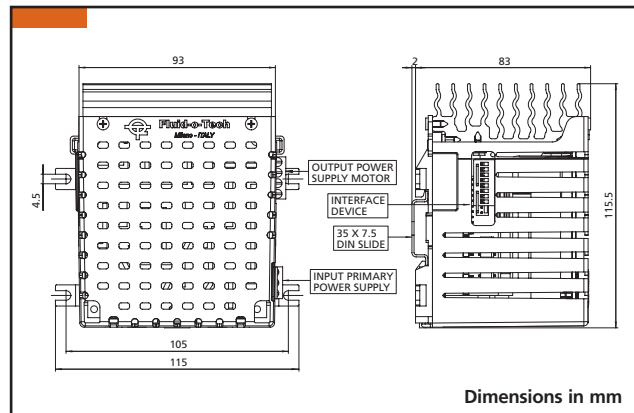
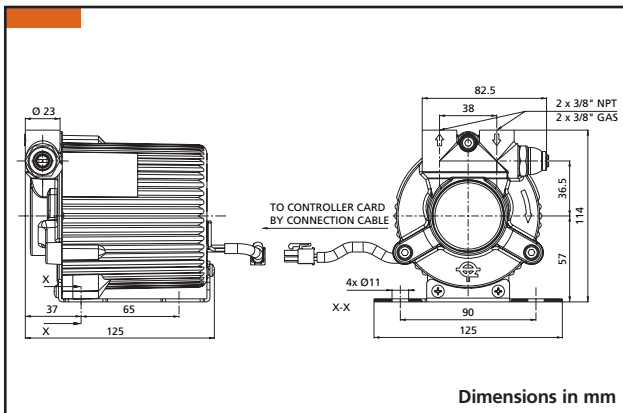
while the brushless technology provides a reliable and long lasting operation.

- Motor housing in aluminum
- Pump housing in brass or AISI 303
- Pumping chamber in graphite
- 3/8" GAS or NPT threaded ports



Main characteristics

- Compact size
- Electro-magnetic drive
- No wear on the motor
- Analogue input for continuous speed control
- 46 dB (A) at 1500 rpm
- Available in 230 V; 110 V; 100 V 50/60 Hz
- Control by opto-coupled technology available
- Continuous duty
- Low operative temperature



Fluid-o-Tech pump-motor unit TMFR series

Main applications

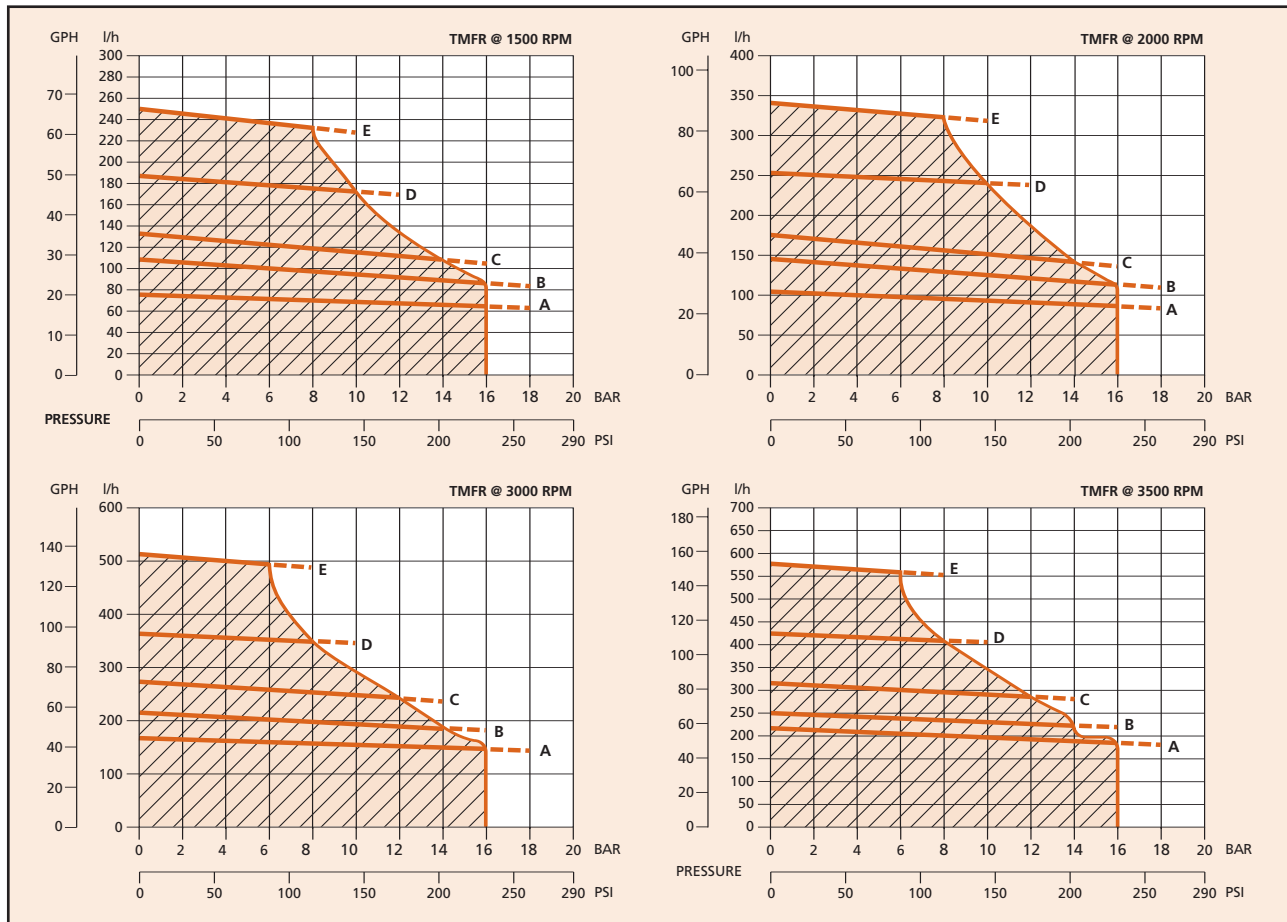
- Laser cooling
- Solar heating systems
- Refrigerating gas transfer
- Reverse osmosis
- Welding
- Fuel burner
- Water repressurization
- Post-mix systems
- Espresso coffee machines

Electrical characteristics

Voltage [V]	100 V – 110 V – 230 V AC
Standard speeds [rpm]	1100 – 1500 – 1750 – 2000 2500 – 2750 – 3000 – 3500
Absorbed power [W]	330 max
Actual power [W]	250 max
Weight [Kg]	3.8
Protection	IP 20

MODEL TMFROT (Brass)	050	051	054	070	071	074	100	101	104	150	151	154	200	201	204
Figure	A-A			B-B			C-C			D-D			E-E		
Bypass	NO	STD	BAL	NO	STD	BAL	NO	STD	BAL	NO	STD	BAL	NO	STD	BAL

MODEL TMFRSS (Stainless Steel)	050	051	070	071	100	101	150	151	200	201
Figure	A-A		B-B		C-C		D-D		E-E	
Bypass	NO	STD	NO	STD	NO	STD	NO	STD	NO	STD



— continuous duty
- - - intermittent duty

Note: Hydraulic performances measured with 20 °C (68 °F) water and without bypass. Curves are averages. Pump weight: 2,7 kg (5,9 Lbs).

For applications involving other fluids, high temperatures, unusual processing conditions or speed higher than 2500 rpm consult the factory or an authorized Fluid-o-Tech distributor.

Fluid-o-Tech reserves the right to alter the specifications indicated in this catalogue at any time and without prior notice.

TMFR – 03/09 Ed.

Fluid-o-Tech srl
Via Leonardo da Vinci, 40
20094 Corsico, Milano, Italy
Tel. +39 02 8917071
Fax +39 02 89170799

Fluid-o-Tech Int'l Inc.
161 Atwater St.,
Plantsville CT (USA) 06479
Tel. +1 (860) 276-9270
Fax +1 (860) 620-0193

Fluid-o-Tech Int'l Inc. Japan
203, 2-17-19, Ebara, Shinagawa
Tokyo 142-0063, Japan
Tel. +81 (0) (3) 3783-9660
Fax +81 (0) (3) 3783-9661

Fluid-o-Tech Asia (Beijing) Co., Ltd
Jingwei Industrial Zone,
Beifang Huairou, Beijing, 101400, PRC
Tel. +86 (0) (10) 61684650
Fax +86 (0) (10) 61684651